

PERFORAZIONE
DRILLING



DEMOLIZIONE
DEMOLITION

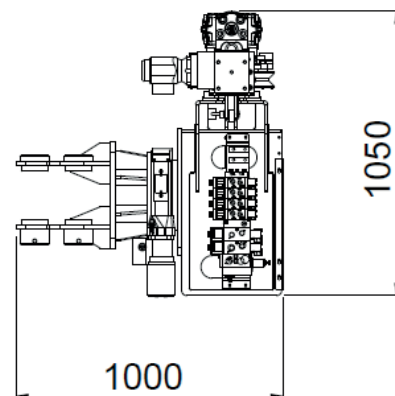
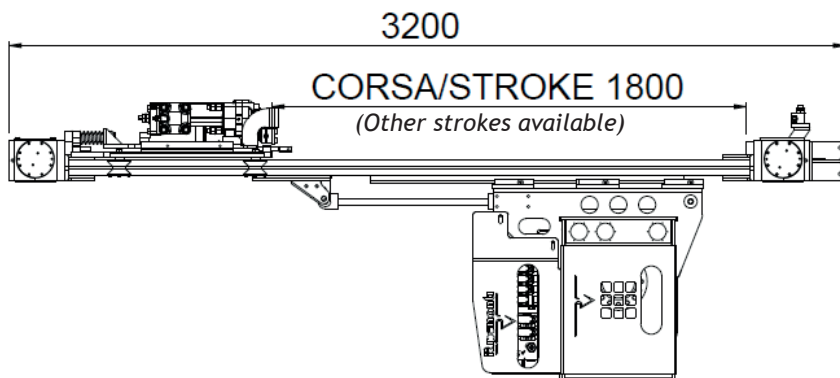
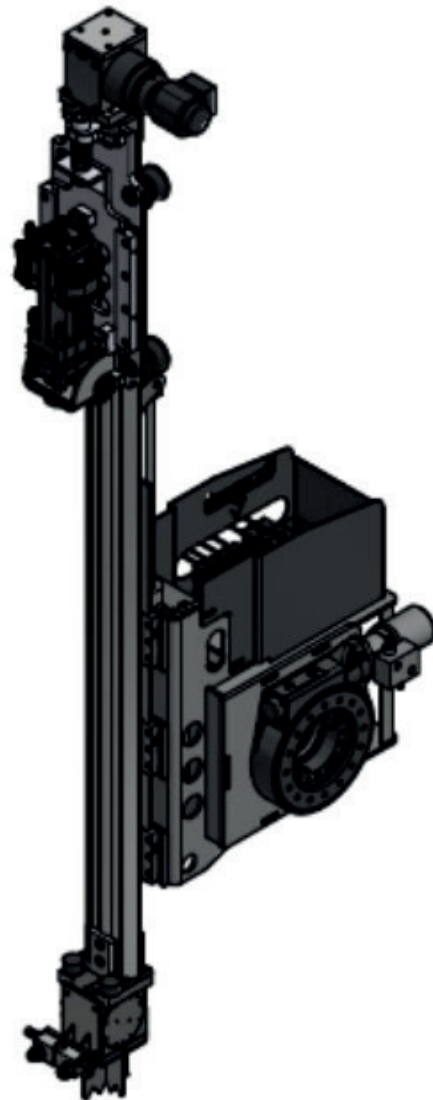
EX180TH EXCAVATOR ATTACHMENT DRILL

EX180TH È UN KIT DI PERFORAZIONE PROGETTATO PER UTILIZZO DI PERFORATRICI A ROTO PERCUSSIONE ESTERNA, MONTATE SUL NOSTRO PROFILO DI ALLUMINIO SPEEDY DRILL 180, CON AVANZAMENTO A CATENA E TENDI TUBI IN LINEA, APPOSITAMENTE SVILUPPATO PER ESSERE APPLICATO SU ESCAVATORI DI PICCOLA O MEDIA PORTATA (>7 TON). I KIT, ESTREMAMENTE LEGGERI E COMPATTI SONO DISPONIBILI IN VARIE VERSIONI PER POTER RISPONDERE ALLE VOSTRE ESIGENZE DI CANTIERE

EX180TH IS A DRILLING KIT DESIGNED FOR USE OF TOP HAMMER DRIFTERS, MOUNTED ON OUR ALUMINIUM MAST SPEEDY DRILL 180, WITH CHAIN FEED AND IN-LINE HOSE REEL, DEVELOPED TO BE MOUNTED ON SMALL SIZE EXCAVATORS (>7 TON). EXTREMELY LIGHT AND COMPACT, THEY ARE AVAILABLE IN VARIOUS VERSIONS



TECHNICAL SPECIFICATIONS	
Excavator size	> 5 ton
Drill mast	Speedy drill 180
Stroke	Standard 1800 mm/2300 mm
Pull back / down	Gear box 1500 kg.
Base frame and Kinematic	Include plate to attach to your excavator with <ul style="list-style-type: none"> •slew for mast rotation (180° +180°) •Back feed 550 mm •Support legs for storage
Hydraulics	5 proportional valves (rotation/ percussion/ feed/ slew/back feed)
Controls	Radio remote control and 5" LCD screen for diagnostic and setting
Centralizer	Manual centralizer included
Data log	On request
DRIFTERS	
Rock Drill	MR40, DOOFOR430/530
Anchor Drill	EURODRILL1001/1002 Other Drifters available on request
ACCESORIES	
<i>Extra slew mounted at 90 degree</i>	
Hydraulic centralizer for exagnal rod	
Hydraulic Drill steel opening	
<i>Hydraulic centrizer for R25/R32/T38</i>	
<i>Hydraulic centr + clamps R25, R32, T38</i>	
<i>Single clamp 25/90 mm</i>	
<i>Clamping and Breaking device 25/90 mm</i>	
<i>Dust collector (if oil flow available)</i>	
<i>Compressor (if oil flow available)</i>	
<i>Shank lubrication system with air line</i>	
<i>Shank lubrication system without air line</i>	
<i>Safety guard</i>	



Ripamonti continuously improves its products and so reserves the right to modify technical data if necessary without prior notice.