

PERFORAZIONE  
DRILLING



DEMOLIZIONE  
DEMOLITION

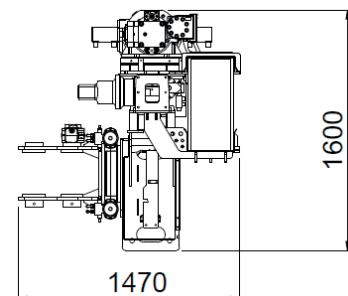
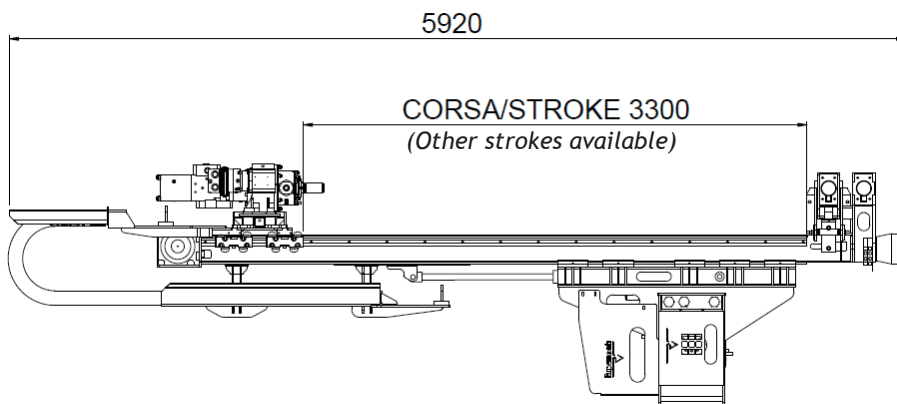
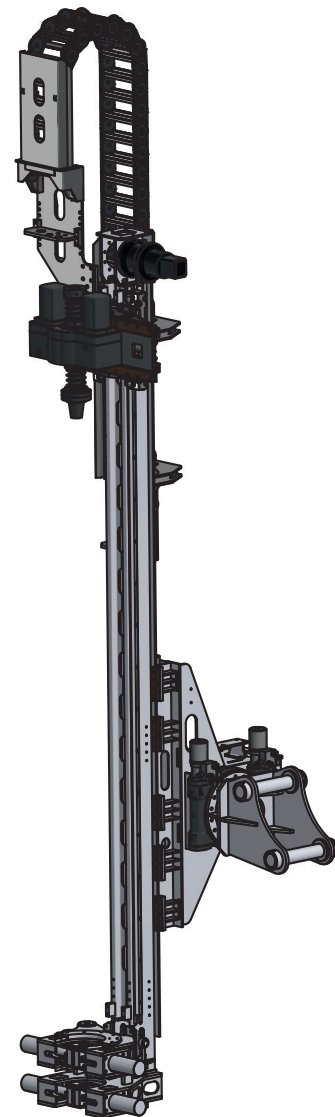
# **EX300DTH** EXCAVATOR ATTACHMENT DRILL

**EX300DTH** È UN KIT DI PERFORAZIONE PREDISPOSTO PER L'UTILIZZO DI MARTELLI FONDO FORO, MONTATO SUL NOSTRO PROFILO DI ACCIAIO S300, CON AVANZAMENTO A CATENA TRAMITE MOTORIDUTTORE E CATENARIA PORTA TUBI LATERALE, PROGETTATO PER ESSERE APPLICATO SU ESCAVATORI DI MEDIA /GRANDE PORTATA (>9 TON). I KIT SONO DISPONIBILI IN VARIE VERSIONI PER POTER RISPONDERE ALLE VOSTRE ESIGENZE DI CANTIERE

**EX300DTH** IS A DRILLING KIT DESIGNED TO USE DTH HAMMER, MOUNTED ON OUR STEEL PROFILE S300, WITH CHAIN FEED AND SIDE HOSE CHAIN, DESIGNED TO BE MOUNTED ON MEDIUM/BIG SIZE EXCAVATORS (>9 TON). KITS ARE AVAILABLE IN VARIOUS VERSIONS



TECHNICAL SPECIFICATIONS	
Excavator size	> 9 ton
Drill mast	S300 Chain feed
Stroke	Standard 3300 mm/ 4300 mm
Pull back / down	4500 kg.
Base frame and Kinematic	Include plate to attach to your excavator with <ul style="list-style-type: none"> <li>•slew for mast rotation (180° +180°)</li> <li>•Back feed 800 mm</li> <li>•Support legs for storage</li> </ul>
Hydraulics	7 proportional valves (rotation/ percussion/ feed/ slew/back feed, free, free)
Controls	Radio remote control and %" LCD screen for diagnostic and setting
Data log	On request
ROTARY HEADS AND DRIFTERS	
RP280, RP500, RP800, RH6 / EURODRILL 2002, 2004, 4005	
Other rotary heads and drifter available on request	
ACCESORIES	
<i>Extra slew mounted at 90 degree</i>	
<i>Single clamp 55-152 mm 55/190 mm</i>	
<i>Clamping and breaking device 55-152 mm 55/190 mm</i>	
<i>Slidramatic system for lateral head feed</i>	
<i>Hydraulic winch including pulley on top of mast and ext 500</i>	
<i>Hydraulic actuator for proportional air valve opening</i>	
<i>Hydraulic water pump</i>	
<i>Lubricator venturi type</i>	
<i>Safety guard (basic version)</i>	
<i>Safety guard (hydraulic version)</i>	



Ripamonti continuously improves its products and so reserves the right to modify technical data if necessary without prior notice.

